

N₂ PFC 310
Series
10KVA - 40KVA



NexGen SOLAR POWER ▶ Online UPS

Salient Features

- Wide Input Voltage Window
- Power Factor Correction
- Compact Footprint
- Transformer Over Temperature Control
- Temperature Compensated Battery Charging
- Double Conversion UPS
- Auto bypass (optional)
- LCD Display
- SNMP



APPLICATIONS

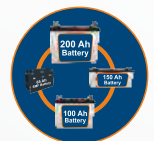
- Workstations/Servers
- Networking Equipment
- Telecom
- Color Labs
- ATM Machines/POS Systems
- Gold Analyzer Machines
- Security Systems
- Textile Industry



Solar Compatible



Galvanic Isolation
transformer



Variable Current
Charging



Rs232 / 485 / Wifi / GSM
Bluetooth Connectivity



NexGen

SOLAR

POWER

Online UPS

The NG Series double conversion UPS affordable protects mission critical applications from downtime, data loss and corruption.

The compact double-conversion architecture incorporates rectifier and inverter stages to protect the output power from all input anomalies.

By adapting to wide range of input voltages, the NG series avoid battery usage during minor power fluctuations, saving its capacity for times when utility power is completely lost.

It is solar compatible, so it reduces electricity usage by running day time on solar, leading to increase in battery life.

Features and Performances

- ✔ IGBT Based Rectifier
- ✔ Input Power Factor upto 0.99
- ✔ Advanced DSP Based Technology
- ✔ 0.8 Output Power Factor
- ✔ Double Conversion Efficiency Upto 90%
- ✔ Variable charging current
- ✔ Easy Site Installation and Configuration

In Built Isolation Transformer :- advantage of isolation transformers is that they reduce power surges. Electrical equipment can run smoothly without the risk of power surges because the DC signals from a power source are isolated. This means that equipment can function at a high level even if there is a power malfunction.

Power Factor Correction :- The power factor correction is a technique of increasing the power factor of a power supply. Ideally, electrical equipment should present a load that emulates a pure resistor, meaning that the reactive power would be zero. The current and voltage waveforms would be the same sine wave and in phase with one another.

SNMP :- UPS are capable of accepting Simple Network Management Protocol (SNMP) communications cards which can monitor and manage UPSs via the network. SNMP cards are an interface between the UPS and the network.

Solar Compatible :- Solar compatibility reduces electricity usage by running day time on solar, leading to increase in battery life.

LCD Display :- Interactive panel display showing the status and fault for better understanding.

Wide Input Voltage Window :- By adapting to wide range of input voltages, the NG series avoid battery usage during minor power fluctuations, saving its capacity for times when utility power is completely lost.

Variable Charging Current :- Ideal for all type of battery as per requirement.

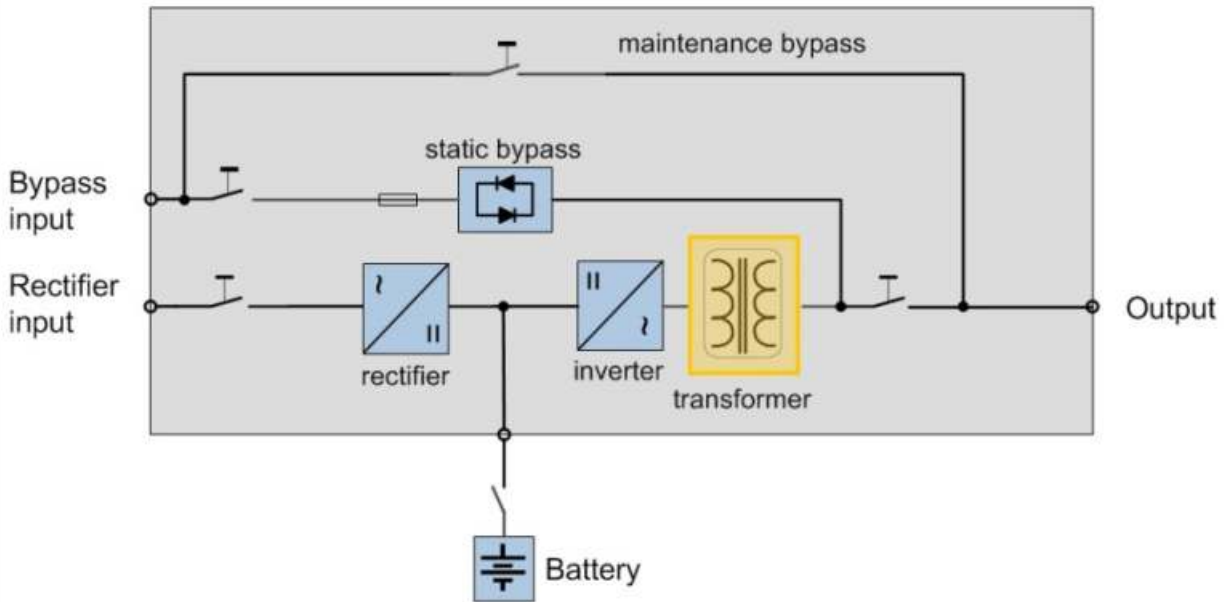
Auto Bypass :- An internal bypass is an automatic function of a UPS system such that when the unlikely event of a UPS internal fault occurs, the UPS will transfer itself to bypass power to give power to connected equipment.





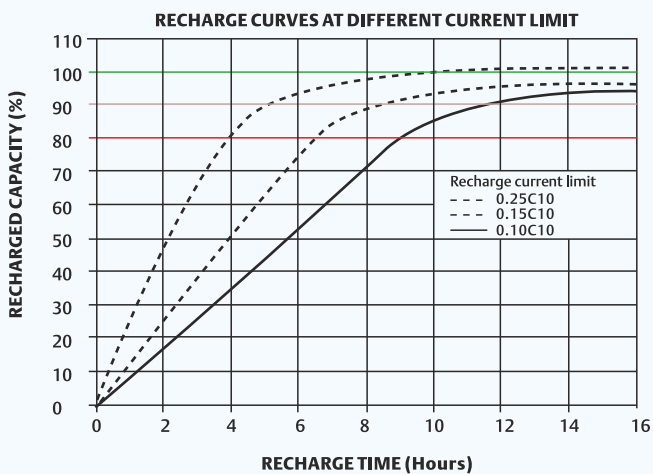
Advantage of Isolation

Zenvo NG series, which achieves up to 97% efficiency in double conversion mode, utilise state-of-the-art technology and components to withstand fluctuation of input main voltage. In-built isolation transformer gives more reliability to NG series and overcome failure of customers equipments. Extra wide input voltage and frequency range effectively reduces the discharging period of battery, thus prolong battery life.



Exemplary Charging Capacity

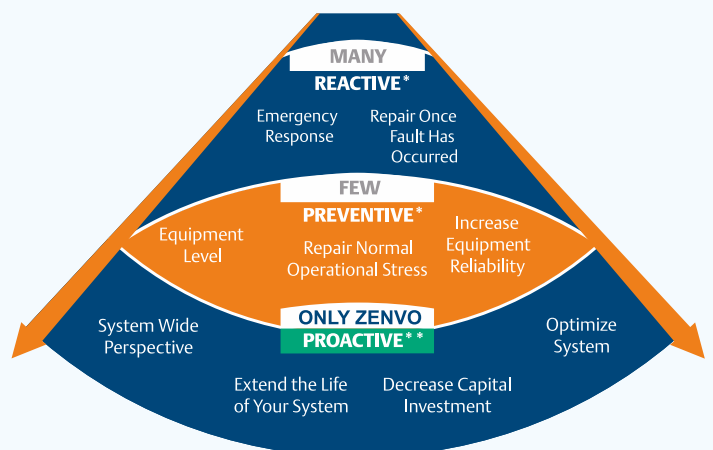
The powerful battery charger allows the reduction in battery recharging time. The backup time can be increased through cascaded connection of use of large capacity battery bank.



This means it will recharge the same battery approximately 1.4 times faster than a UPS with 3kW of charging power, or alternatively 2 times faster than UPS with 2kW of charging power. It can charge a battery of 1.4 to 2 times larger capacity (Ah) in the same amount of time.

Support

Zenvo Care program offers the best in-house service for Zenvo NG Series. Our customer support engineers have in - depth knowledge about Zenvo UPS to the core. Furthermore, this can be integrated into the existing data centre infrastructure and corresponding support strategy.



Technical Specification

TECHNOLOGY		Double conversion Online with the latest MPWM technology using IGBT				
RATING		10KVA	15KVA	20KVA	30KVA	40KVA
DC BUS		240/360V	240/360V	240/360V	360VDC	360VDC
INPUT						
Input Voltage		415 V 3 Ø & N				
Input Voltage Window		330 - 470V				
Input Frequency		45-55Hz				
Input PFC		> 0.97				
Power walk in		Soft start for 0-20 seconds power walk-in				
RECTIFIER						
Type		IGBT based full bridge				
Voltage Regulation		(±) 1%				
Converter Protection		Advanced Electronic Protection for device safety backed up with MCB's/ MCCBs & fast acting fuses				
INVERTER						
Inverter Type		IGBT based MPWM with instantaneous Sinewave Control				
Power Factor		0.8 lag				
Nominal Voltage		220VAC / 230VAC				
Regulation		(±) 1%				
Frequency		50 Hz ± 0.1Hz				
Waveform		True Sinewave				
Total Harmonic Distortion	Linear Load	< 2%				
	Non Linear Load	< 6%				
Transient Response		Remains within +/- 5% & recover to normal within 20 msec				
Over Load Capacity	100%	100% Continuous / 125% - 1 Minute / 150% - 5 Seconds				
Crest Factor		3 : 1				
Nominal output current		34 A	52A	70A	104A	139A
Mode of Operation		Designed for Continuous operation				
ISOLATION		True Online with complete galvanic isolation				
BYPASS						
Manual Bypass		Provided				
Static bypass(Optional)		Optional Feature				
EFFICIENCY		Load				
Efficiency	100 % load	>86% to > 88 %				
BATTERY						
Battery Type		SMF/ TUBULAR				
Battery Voltage - 12 V (No. of Batteries)		20 - 30				
Voltage		240 - 360 V				
Battery Low advance warning at		11 V / battery				
Battery Low cut off at		10.5 V / Battery				
Charging Current Standard		0-10 A				
ALARMS						
		Input / Low / Fail / Output Overload / Over Temperature / Battery Low				
LED Indications (Single LED with multi function)						
		• Mains On / UPS On / Battery Low / Overload				
User Friendly LCD Display shows the following parameters						
		• Input Voltage / Output Voltage / Load current / Output Frequency / Battery Voltage				
ENVIRONMENTAL						
Acoustic Noise level		<60db @ 1.5 meter				
Ambient Temperature		0 to 40 Deg C				
Storage Temperature		-10 to 70 Deg C				
Humidity		Up to 95% RH Non condensing				
Altitude		< 3000 Feet above sea level (without derating)				
Extreme climatic conditions		AC Environment is required if the temperature goes beyond the normal operating temperature (0-40 deg C)				
PHYSICAL						
Enclosure Protection Grade		IP - 20				
Cooling		Forced Air				
Cable Entry		Front side bottom				
Testing Standard		As per IEC 62040 - 3				
		10KVA	15KVA	20KVA	30KVA	40KVA
Dimension: Depth X Height X Width (in mm)		640 X 660 X 230	770 X 800 X 390	850 X 860 X 470	850 X 1130 X 470	

Odin System Pvt. Ltd.

Registered Office: Plot-49, House No 663,
Sec-13, Neelkanth Apts, Rohini, New Delhi- 110085
Website: www.zenvo.in, E-mail: info@zenvo.in
Help Line Number : 989-989-8775

